

AVT553A

HD CCTV 1080P

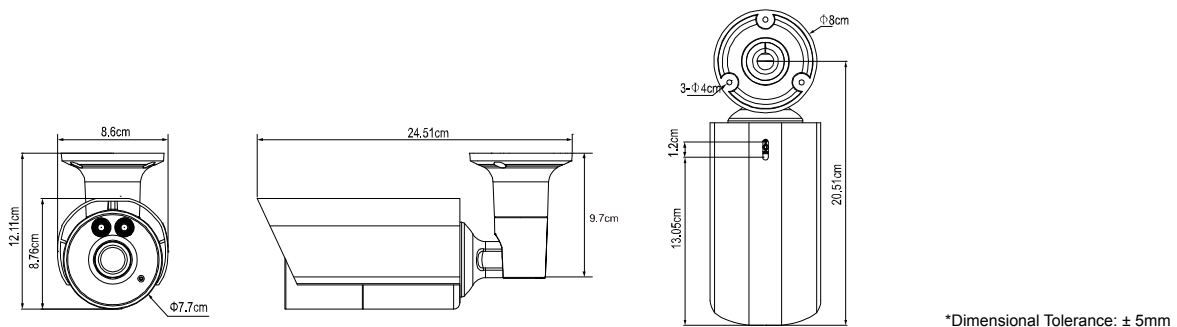
Motorized IR Bullet Camera



● FEATURES

- (1) 1/2.8" CMOS Sensor with 1080P video output
- (2) Motorized zoom lens equipped to allow focal length and focus adjustment remotely via DVR
- (3) External alarm I/O device connection
- (4) WDR to increase image recognizability in overexposure and dark areas
- (5) Solid Light series featuring better overexposure prevention (Advanced Smart Light Control), automatic adjustment of image brightness, and longer lifetime of LEDs
- (6) IR effective distance up to 30 meters for 24-hour surveillance
- (7) IP66 for weather-proof application

● DIMENSIONS*



● SPECIFICATIONS*

MODEL	AVT553A
Pick-up Element	1/2.8" SONY CMOS image sensor
Number of Pixels	1936(H) × 1096(V)
Video Frame Rate	1080P@30fps / 1080P@25fps
Min. Illumination	0.1 Lux / F1.4(Wide)~F2.8(Tele), 0 Lux (IR LED ON)
S/N Ratio	More than 48dB (AGC OFF)
Shutter Speed	1/10,000 ~ 1/7.5 (Slow shutter)
Lens	f2.8 ~ 12mm / F1.4 ~ F2.8
Lens Angle	Wide: 103° (Horizontal) / 54° (Vertical) / 122° (Diagonal) Tele: 31° (Horizontal) / 17° (Vertical) / 36° (Diagonal)
IR LED	2 units
IR Effective Distance	Default mode: up to 20 meters IR enhanced mode: up to 30 meters
IR Shift	YES
Smart Light Control	YES
IRIS Mode	AES
White Balance	ATW
AGC	Auto
WDR	YES (120dB)
External alarm I/O	YES (1 input / 1 output)
IP Rating	IP66
Operating Temperature	-20°C ~ 50°C
Video Output	1.0 Vp-p composite, 75Ω
Power Source (±10%)	DC12V / 1A
Optional Peripherals	Ceiling-mount bracket (AVM552C-BBKT) / Connector (BULLETCON1)

* The specifications are subject to change without notice.