



# AVM565

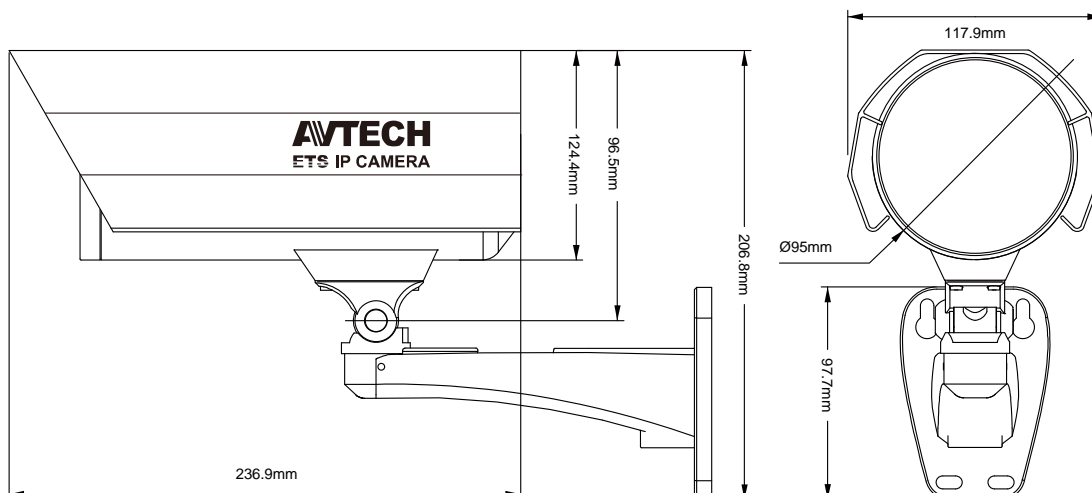
## 2MP 10X Solid Light IP Camera



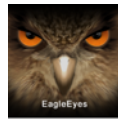
### FEATURES

- Solid Light series featuring better overexposure prevention (Advanced Smart Light Control), automatic adjustment of image brightness, and longer lifetime of LEDs
- Zoom lens of f6.0 ~ 60mm with 10x optical zoom, 10x digital zoom and auto focus, suitable for various monitoring environments
- External alarm I/O device connection
  - For more accurate detection
  - Possible to enable active event notifications to your iPhone, iPad & android mobile devices (**Push Video**) when **used with AVTECH Push Video NVR series**
- POE (Power-over-Ethernet) support to eliminate the use of power cables and reduce installation costs
- ONVIF standard supported to simplify system integration
- IR LEDs built-in for night surveillance with max effective range up to 60 meters

### DIMENSIONS



Dimensional tolerance: (± 5mm)



### SPECIFICATIONS

■ Network	
LAN Port	YES
LAN Speed	10/100 Based-T Ethernet
Supported Protocols	DDNS, PPPoE, DHCP, NTP, SNTP, TCP/IP, ICMP, SMTP, FTP, HTTP, RTP, RTSP, RTCP, IPv4, Bonjour, UPnP, DNS, UDP, IGMP, QoS
Number of Online Users	10
Security	(1) Multiple user access levels with password (2) IP address filtering (3) Digest authentication
Remote Access	(1) Internet Explorer on Windows operating system (2) EagleEyes on iPhone, iPad & Android mobile devices
■ Video	
Video Compression	H.264 / MJPEG
Resolution	1080P to CIF
Frame Rate	NTSC:30, PAL:25
Multiple Video Streaming	4 (H.264, MJPEG)
■ General	
Image Sensor	1/2.9" SONY CMOS image sensor
Min Illumination	1 Lux / F2.0, 0 Lux (LED ON)
S/N Ratio	More than 48dB (AGC off)
Electronic Shutter	1/7.5 to 1/8000 sec
Lens	f6.0 ~ 60mm / F2.0 ~ 2.8 10X Optical Zoom, Auto Focus, Near focus limit 10cm (wide) or 80cm (tele) to infinity
Viewing Angle	1X: 47.3° (Horizontal) x 27.5° (Vertical) x 53.5° (Diagonal) 10X: 5.3° (Horizontal) x 3.0° (Vertical) x 6.1° (Diagonal)
IR LED	YES
IR Effective Range**	Default mode: up to 40 meters IR enhanced mode: up to 60 meters
IR Shift	YES
IRIS Mode	YES (Two stage)
POE	YES (IEEE 802.3af)
IP Rating	IP67
White Balance	ATW
AGC	Auto
Operating Temperature	-10°C ~ 40°C
Power Source (±10%)	12V / 1A
Power Consumption	9W (Max)
■ Others	
Mobile Surveillance	iPad / iPhone / Android mobile device
ONVIF Compatible	YES
Event Notification	FTP / Email / SMS
External Alarm Device Connection	YES
Digital Pan / Tilt / Zoom	YES
Motion Detection	YES
RTC (real-time clock)	YES
Reset Default	YES
Minimum Web Browsing Requirements	<ul style="list-style-type: none"> <li>• Intel core i3 or higher, or equivalent AMD</li> <li>• 2 GB RAM</li> <li>• AGP graphics card, Direct Draw, 32MB RAM</li> <li>• Windows 7, Vista &amp; XP, DirectX 9.0 or later</li> <li>• Internet Explorer 7.x or later</li> </ul>

\* The specifications are subject to change without notice

\*\* Using IR enhanced mode and slow shutter speed, the distance can be extended even longer.

